

One Piece Transport Refrigeration Unit for Small to Medium Sized Trucks

KOOLVAN

660i/760i/860i



Intelligence runs kool

With Koolvan Transfrig offers a highly flexible range of one piece direct drive transport refrigeration units for small to medium sized trucks, off engine drive with or without electric standby.

The INTELLIGENT LOGIC CONTROLLER (ILC) ensures improved control, temperature management and operation.

Customers profit from a fast access of diagnostics, easily to be downloaded via USB.

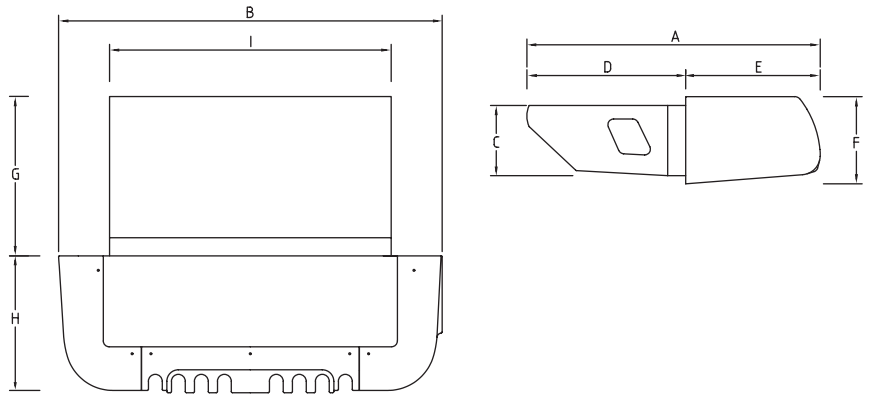
FEATURES

ADVANTAGES

- High volume, constant airflow through electronic evaporator fans, for improved air management.
- Powerful semi-hermetic compressor, electric standby option according to technical data below.
- Simple In-Cab Control, increased ease of operation
- Constant airflow through electronic evaporator fans, for improved air management
- Available in R404A, ozone friendly refrigerant

Dimensions in mm

| | KV 660i | KV 760i | KV 860i |
|---|---------|---------|---------|
| A | 1244 | 1270 | 1270 |
| B | 1360 | 1660 | 1660 |
| C | 305 | 305 | 305 |
| D | 659 | 690 | 690 |
| E | 585 | 585 | 585 |
| F | 379 | 379 | 379 |
| G | 659 | 690 | 690 |
| H | 585 | 585 | 585 |
| I | 760 | 1224 | 1224 |



TECHNICAL DATA

| | | | KV 660i | KV 760i | KV 860i |
|---|-------------|---------------|---------|---------|---------|
| Cooling Capacity @30°C ambient R404A | Road | 0°C | 3,7 | 4,2 | 4,7 |
| | | -20°C | 2,2 | 2,8 | 3,1 |
| | Electric | 0°C | 3,7 | 4,2 | 4,7 |
| | | -20°C | 2,2 | 2,8 | 3,1 |
| Volume Flow (m³/h) | | 2000 | 3000 | 3900 | |
| Weight (kg) | Road only | | 99 | 105 | 115 |
| | el. standby | | 145 | 165 | 175 |
| Road Compressor | | | 160 cc | 160 cc | 210 cc |
| Standby Compressor | Type | Semi-hermetic | B1,5-9Y | D3-16Y | D3-16Y |
| | | | 50 Hz | 50 Hz | 50 Hz |
| | Power (kW) | 380V 3Ph | 3,3 | 5,4 | 5,4 |
| | | 220V 1Ph | 3,3 | - | - |
| | Current | 380V 3Ph | 5,9 | 9,9 | 9,9 |
| Consumption (A) | 220V 1Ph | 10,2 | - | - | |