

# SPHEROS

ONE PIECE TRANSPORT REFRIGERATION UNIT FOR SMALL TO MEDIUM SIZED TRUCKS

## KOOLVAN

660i/760i/860i



### INTELLIGENCE RUNS KOOL

With Koolvan Transfrig offers a highly flexible range of one piece direct drive transport refrigeration units for small to medium sized trucks, off engine drive with or without electric standby.

The INTELLIGENT LOGIC CONTROLLER (ILC) ensures improved control, temperature management and operation.

Customers profit from a fast access of diagnostics, easily to be downloaded via USB.

ADVANCED TECHNOLOGY - YOU CAN RELY ON.

# KOOLVAN 660i/760i/860i

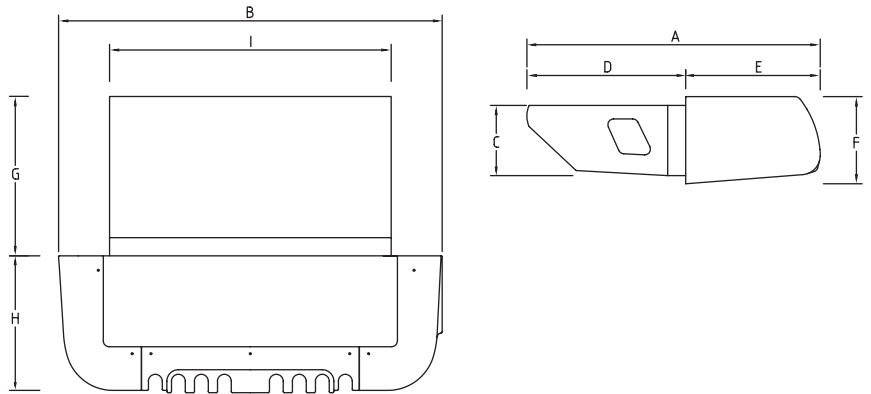
## FEATURES

### ADVANTAGES

- High volume, constant airflow through electronic evaporator fans, for improved air management.
- Powerful semi-hermetic compressor, electric standby option in 220V 1 phase or 380V 3 phase KV660i, KV760i and KV860i available with 380V 3 phase standby
- Simple In-Cab Control, increased ease of operation
- Constant airflow through electronic evaporator fans, for improved air management
- Available in R134a and R404A, ozone friendly refrigerant

Dimensions in mm

	KV 660i	KV 760i	KV 860i
<b>A</b>	1244	1270	1270
<b>B</b>	1360	1660	1660
<b>C</b>	305	305	305
<b>D</b>	659	690	690
<b>E</b>	585	585	585
<b>F</b>	379	379	379
<b>G</b>	659	690	690
<b>H</b>	585	585	585
<b>I</b>	760	1224	1224



## TECHNICAL DATA

			KV 660i	KV 760i	KV 860i
Box Length (m)		0°C	4,8	6,0	7,2
		-18°C	4,2	5,4	6,0
		-25°C	3,8	4,5	5,0
Cooling Capacity @30°C ambient R404A	Road/Electric	0°C	kW 3,7    Btu/h 12600	kW 4200    Btu/h 14300	kW 4700    Btu/h 16000
		-20°C	2,2    7500	2800    9500	3100    10600
Air Volume Flow (m³/h)			2000	3000	3900
Weight (kg)	Road only		99	105	115
	el. standby		145	165	175
Road Compressor			TCC115	TCC115	TCC115/TM21
Semi-hermetic standby compressor	Type		B1,5-9Y	D3-16Y	D3-16Y
			50 Hz / 60 Hz	50 Hz / 60 Hz	50 Hz / 60 Hz
	Power (kW)	380V 3Ph	3,3	5,4	5,4
		220V 3Ph			
Current consumption (A)	380V 3Ph	5,9	9,9	9,9	
	220V 3Ph	10,2	17,1	17,1	